

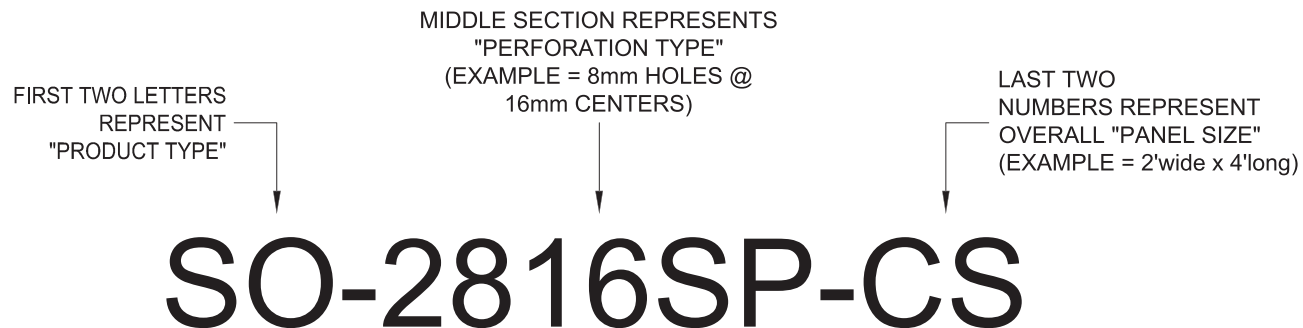
PRODUCT NOTES:

PANELS HAVE A COMPOSITE CONSTRUCTION CONSISTING OF AN ACOUSTICAL MEMBRANE ATTACHED TO THE PANEL FRAME. THERE IS A FACTORY ENCAPSULATED ACOUSTICAL CORE INSIDE THE PANEL.

THESE ARE THE STANDARD GEOPANEL CONFIGURATIONS. CONTACT GEOMETRIK FOR INFORMATION REGARDING CUSTOM SIZES.

CUSTOM SIZES CAN BE UP TO 4'-0" WIDE X 8'-0" LONG.

HOW TO READ PRODUCT "SKU" :



"SKU" ABBREVIATIONS:

SO = GEOPANEL SONATA
CS = CUSTOM SIZE
1000 = GROOVED FACE
2200SL = SLOTTED PERFORATION
2300RS = ROUND SQUARE PERFORATION
DP = DIAGONAL PATTERN
SP= STANDARD PATTERN

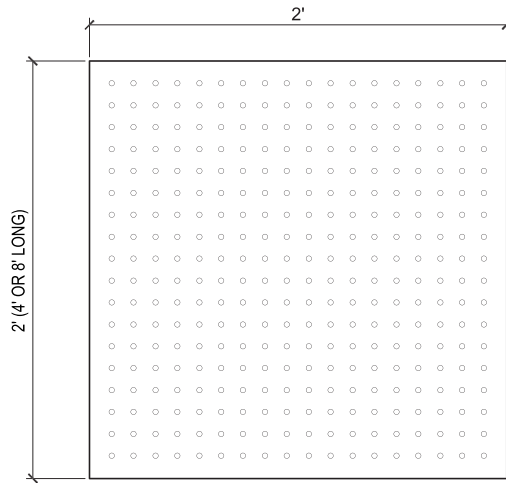


Description:
SKU INFORMATION

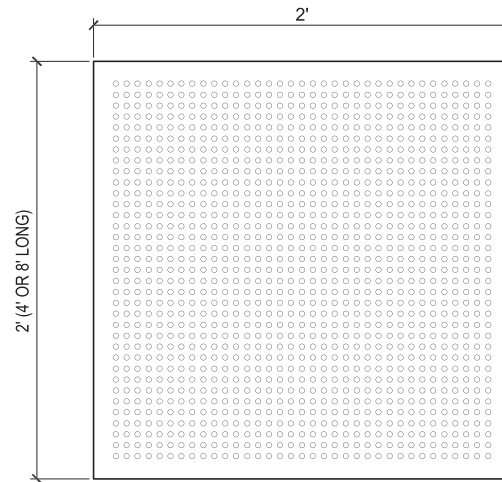
Product:
GEOPANEL SONATA

Date: MAR-31-2011 Drawn By: TM

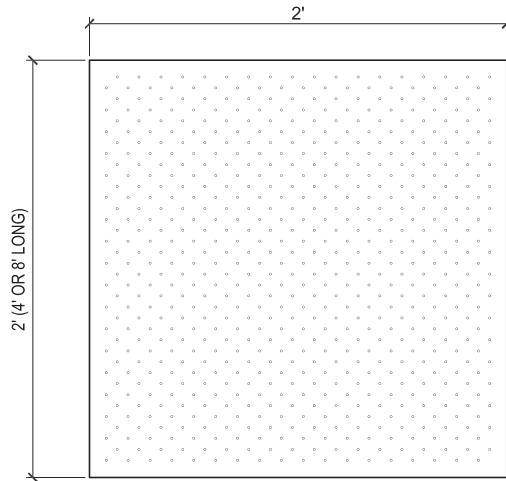
Sheet No:
S01.0



ROUND PERFORATION - SQUARE PATTERN		
SKU #	PANEL SIZE	PERFORATION
SO-2832SP-22	2' x 2'	8mm HOLES ON 32mm CENTERS
SO-2832SP-24	2' X 4'	8mm HOLES ON 32mm CENTERS
SO-2832SP-28	2' X 8'	8mm HOLES ON 32mm CENTERS
SO-2832SP-CS	CUSTOM SIZE	8mm HOLES ON 32mm CENTERS



ROUND PERFORATION - SQUARE PATTERN		
SKU #	PANEL SIZE	PERFORATION
SO-2816SP-22	2' x 2'	8mm HOLES ON 16mm CENTERS
SO-2816SP-24	2' X 4'	8mm HOLES ON 16mm CENTERS
SO-2816SP-28	2' X 8'	8mm HOLES ON 16mm CENTERS
SO-2816SP-CS	CUSTOM SIZE	8mm HOLES ON 16mm CENTERS



ROUND PERFORATION - DIAGONAL PATTERN		
SKU #	PANEL SIZE	PERFORATION
SO-2316DP-22	2' x 2'	3mm HOLES ON 16mm CENTERS
SO-2316DP-24	2' X 4'	3mm HOLES ON 16mm CENTERS
SO-2316DP-28	2' X 8'	3mm HOLES ON 16mm CENTERS
SO-2316DP-CS	CUSTOM SIZE	3mm HOLES ON 16mm CENTERS



www.geometrik.com info@geometrik.com

Description:
**STANDARD
CONFIGURATION**

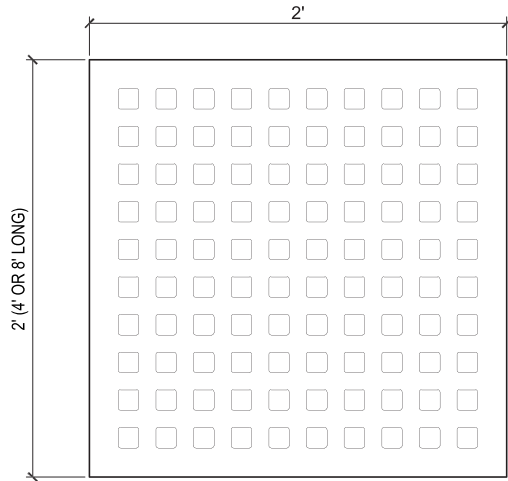
Product:
GEOPANEL SONATA

Date: MAR-31-2011

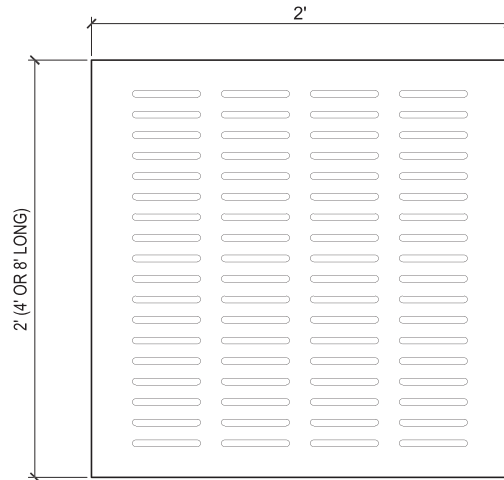
Drawn By: TM

Sheet No:

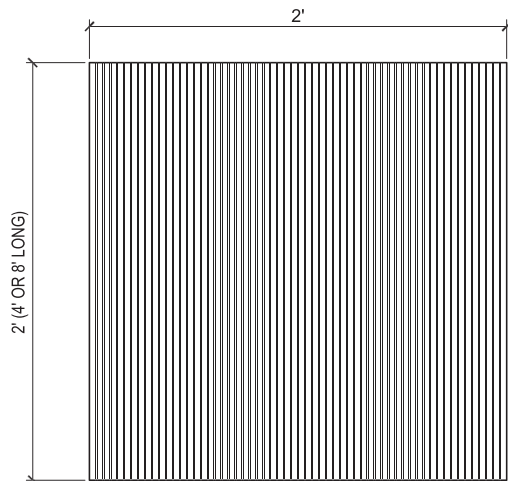
S01.1



ROUND SQUARE PERFORATION - SQUARE PATTERN		
SKU #	PANEL SIZE	PERFORATION
SO-2300RS-22	2' x 2'	30mm X 30mm ROUNDED SQUARE
SO-2300RS-24	2' X 4'	30mm X 30mm ROUNDED SQUARE
SO-2300RS-28	2' X 8'	30mm X 30mm ROUNDED SQUARE
SO-2300RS-CS	CUSTOM SIZE	30mm X 30mm ROUNDED SQUARE



SLOTTED PERFORATION		
SKU #	PANEL SIZE	PERFORATION
SO-2200SL-22	2' x 2'	100mm X 10mm SLOT
SO-2200SL-24	2' X 4'	100mm X 10mm SLOT
SO-2200SL-28	2' X 8'	100mm X 10mm SLOT
SO-2200SL-CS	CUSTOM SIZE	100mm X 10mm SLOT



GROOVED PERFORATION - LINEAR PATTERN		
SKU #	PANEL SIZE	PERFORATION
SO-1000-22	2' x 2'	2mm CUT WITH 10mm SPACING
SO-1000-24	2' X 4'	2mm CUT WITH 10mm SPACING
SO-1000-28	2' X 8'	2mm CUT WITH 10mm SPACING
SO-1000-CS	CUSTOM SIZE	2mm CUT WITH 10mm SPACING



www.geometrik.com info@geometrik.com

Description:
STANDARD CONFIGURATION

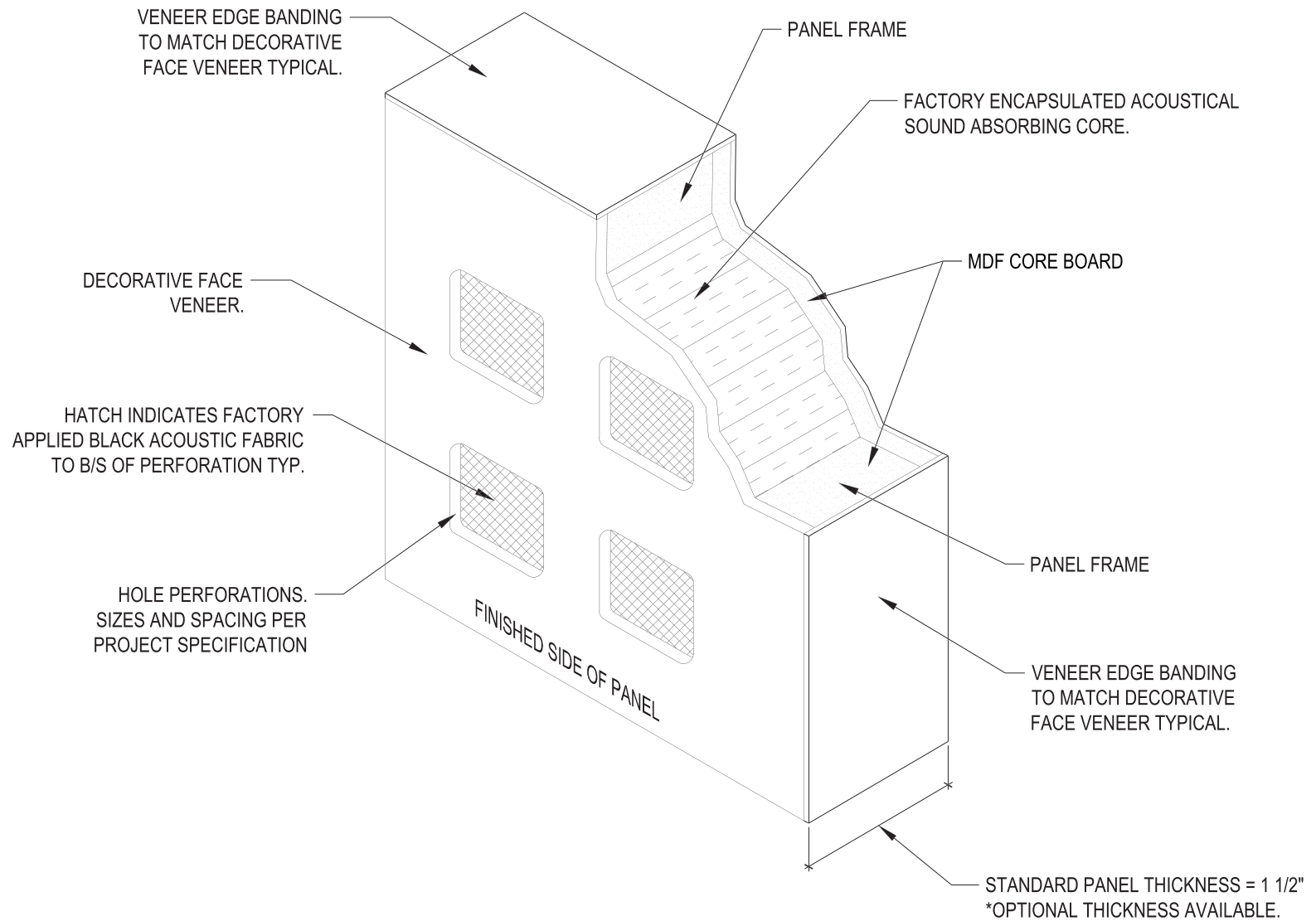
Product:
GEOPANEL SONATA

Date: **MAR-31-2011**

Drawn By: **TM**

Sheet No:

S01.2



www.geometrik.com info@geometrik.com

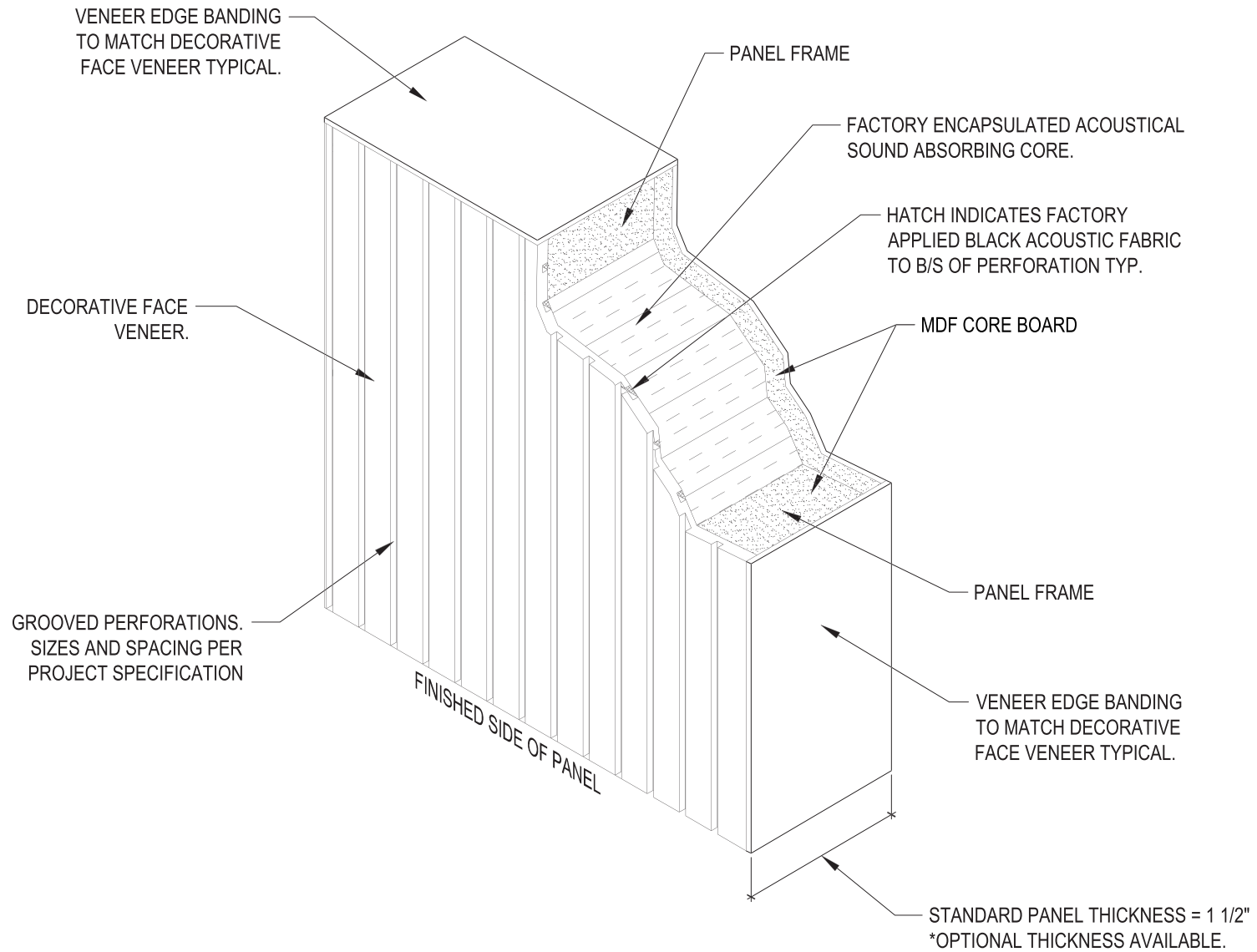
Description:
TYPICAL PANEL CONSTRUCTION

Product:
GEOPANEL SONATA SO-2300RS-CS

Date: MAR-31-2011 Drawn By: TM

Sheet No:

S02.0



www.geometrik.com info@geometrik.com

Description:
TYPICAL GROOVED
PANEL CONSTRUCTION

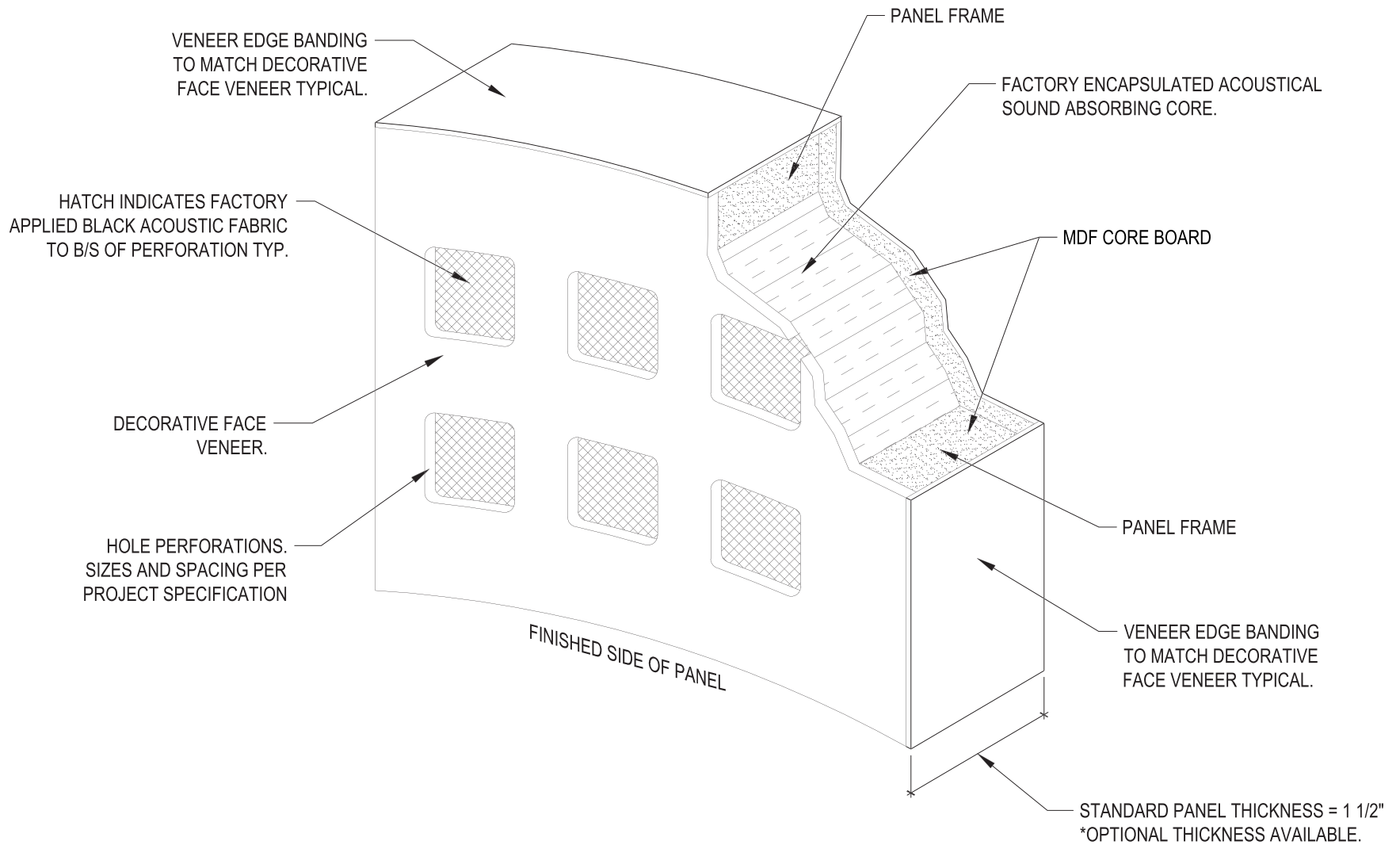
Product:
GEOPANEL SONATA
SO-1000-CS

Date: MAR-31-2011

Drawn By: TM

Sheet No:

S02.1



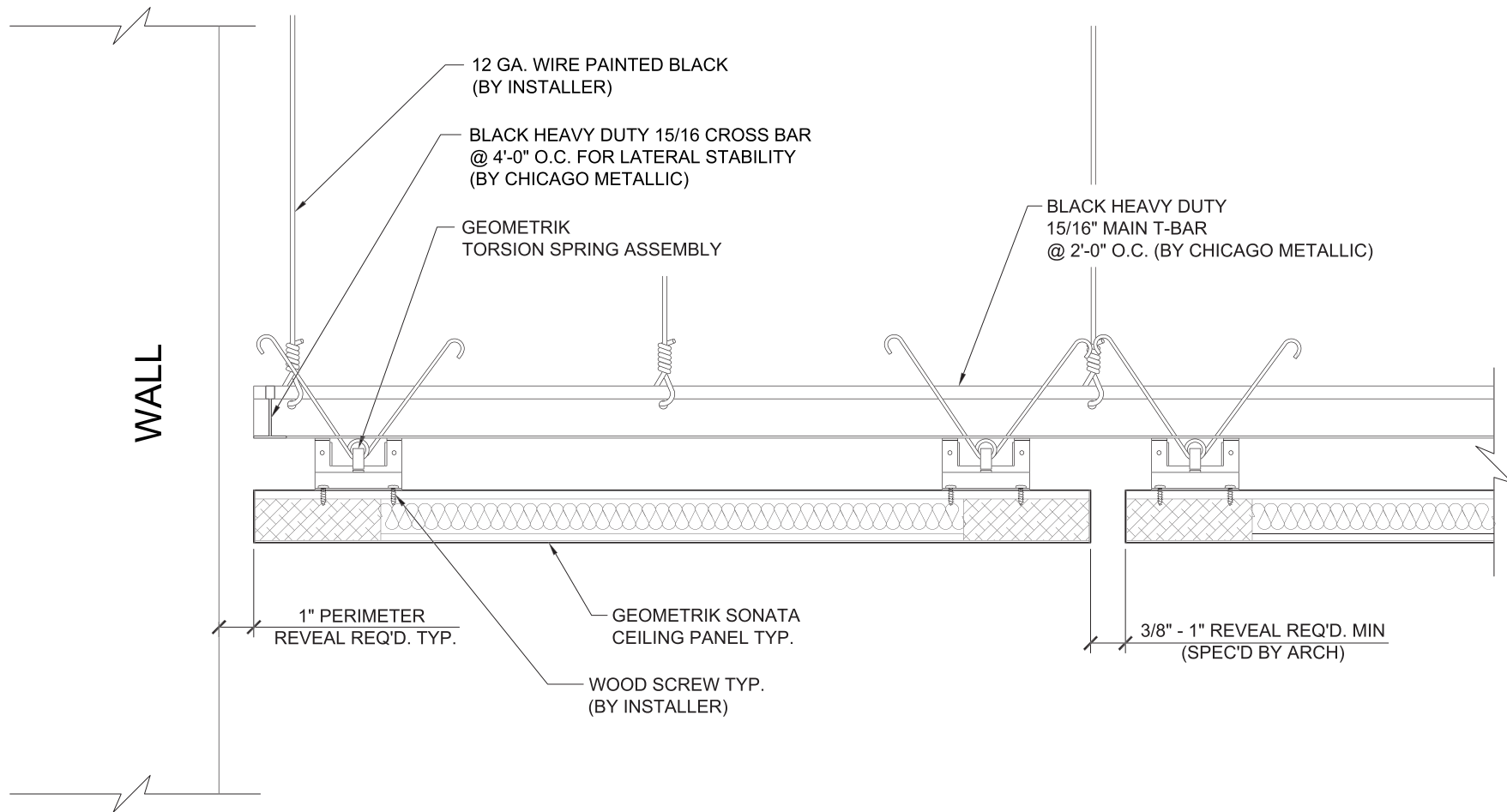
www.geometrik.com info@geometrik.com

Description:
**TYPICAL CURVED
 PANEL CONSTRUCTION**

Product:
**GEOPANEL SONATA
 SO-2300-RS-CS**

Date: MAR-31-2011 Drawn By: TM

Sheet No:
S02.2



www.geometrik.com info@geometrik.com

Description:
TORSION SPRING
SUSPENSION

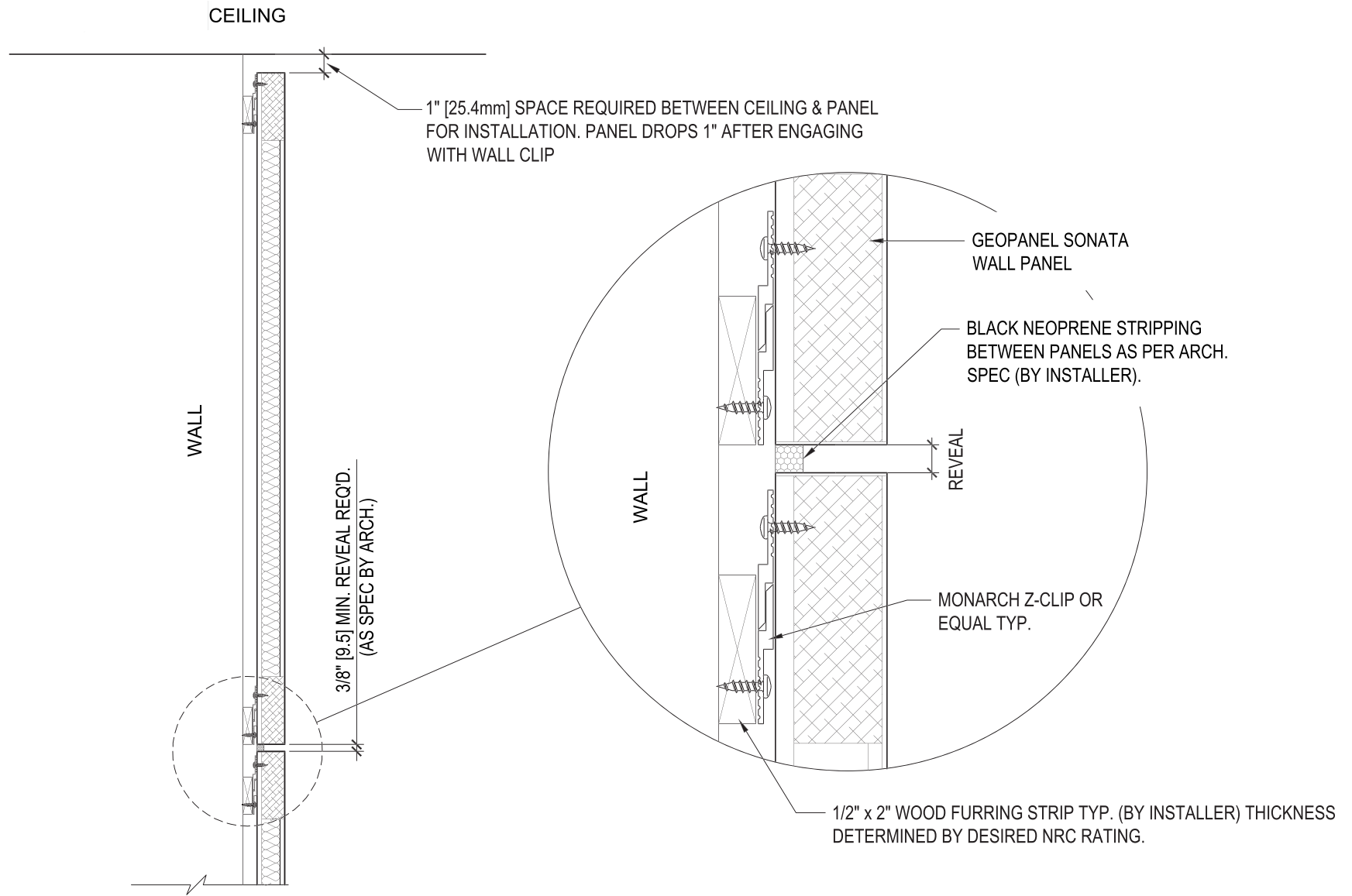
Product:
GEOPANEL SONATA

Date: MAR-31-2011

Drawn By: TM

Sheet No:

S03.0



www.geometrik.com info@geometrik.com

Description:
Z-CLIP WALL PANEL
ATTACHMENT DETAIL

Product:
GEOPANEL SONATA

Date: MAR-31-2011

Drawn By: TM

Sheet No:

S09.0